

Development of pulsed power generators for electroporation

H2

Matej Reberšek, Eva Pirc

University of Ljubljana, Faculty of Electrical Engineering

Duration of the experiment: 60 min

Max. number of participants: 4

Location: Laboratory for Physiological Measurements

Level: Advanced (Electrical Engineer)

PREREQUISITES

Basic to advanced knowledge of electrical engineering.

THEORETICAL BACKGROUND

Electroporation is initiated by the delivery of electrical pulses to biological cells. To generate electrical pulses for electroporation applications a pulsed power generator is required. Pulsed power generators operate in two phases: a charge and a discharge phase. During the charge phase, energy is accumulated over a long period of time in an energy storage element such as capacitor. In the discharge phase, stored energy is quickly released into the load. Several different concepts are used to generate electroporation pulses. The most common method of generating micro- and millisecond electroporation pulses is a square wave pulse generator, in which an on/off switch is used to connect and disconnect capacitor to the load. To generate nanosecond square wave electroporation pulses pulse forming networks or lines are used because high-voltage power switches cannot turn off in nanoseconds.

The aim of this laboratory practice is to learn how to develop milli-, micro- and nanosecond square wave pulse generators. During the laboratory practice we will learn how to choose or calculate the values of the electrical components for a given load and pulse duration.

EXPERIMENT

We will design and assemble two pulse generators: a square wave pulse generator and a Blumlein generator. The square wave pulse generator will enable generation of up to 1 kV micro- and millisecond electroporation pulses. And the Blumlein generator will enable generation of up to 1 kV nanosecond pulses. The output signals of the generators will be measured by oscilloscope, and voltage and current probes.

Square wave pulse generator: We will assemble this generator (Figure 1) by using: a high voltage power supply (V), high voltage capacitor (C), MOSFET switch (S), MOSFET driver (MD) and function generator (FG).

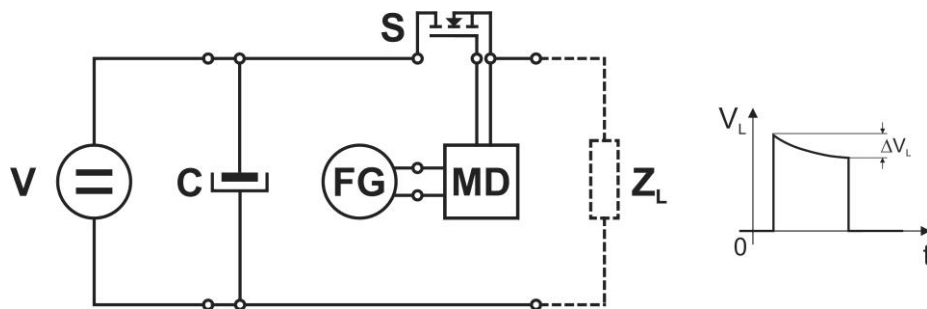


Figure 1. Schematics of the square wave pulse generator and its typical output waveform on load (Z_L).

To power the generator, we will use high voltage DC power supply MCP 350-1250 (FUG, Germany). To store enough energy in the capacitor for the pulse generation, we will calculate its minimal capacitance (equation 1). MOSFET switch will be chosen from the datasheets considering the pulse maximal output voltage and current, and rise, fall and turn off delay time. We will use 4422 (Microchip, USA) MOSFET driver circuit to drive the MOSFET switch and a function generator (HP, USA) to generate a control signal.

$$i_C = C \frac{dV_C}{dt}; \quad i_L = \frac{V_L}{Z_L} \xrightarrow{i_C=i_L; V=V_C=V_L; dV=\Delta V; dt=N \cdot t_P} C = \frac{N \cdot t_P}{\frac{\Delta V}{V} Z_L} \quad (1)$$

We will assemble the square wave pulse generator in four steps, by gradually increasing the requirements for pulse parameters and load (Table 1). We will vary pulse number (N), pulse duration (t_P), relative voltage drop ($\Delta V/V$) and resistance of the load (Z_L). In the first step, we will assemble the generator for one short (10 μ s) fully square (1%) pulse on high resistive (1 k Ω) load. In the second step, we will lower the resistance of the load and observe the operation of MOSFET switch and output pulse waveform. In the third step, we will improve the pulse waveform. And in the final step, we will improve the pulse waveform for prolonged pulse duration and number of pulses.

Table 1. Parameters of the pulses that will be generated and resistance of the loads that will be used in specific assembly step.

Step	N	t_P [μ s]	$\Delta V/V$ [%]	Z_L [Ω]	C [μ F]	S
1	1	10	1	1000		
2	1	10		50	1	
3	1	10	1	50		
4	8	100	5	50		

Blumlein generator: We will assemble this generator (Figure 2) by using: a high voltage power supply (V), resistor (R), transmission lines (T_1 and T_2), radiofrequency MOSFET switch (S), MOSFET driver (MD) and function generator (FG).

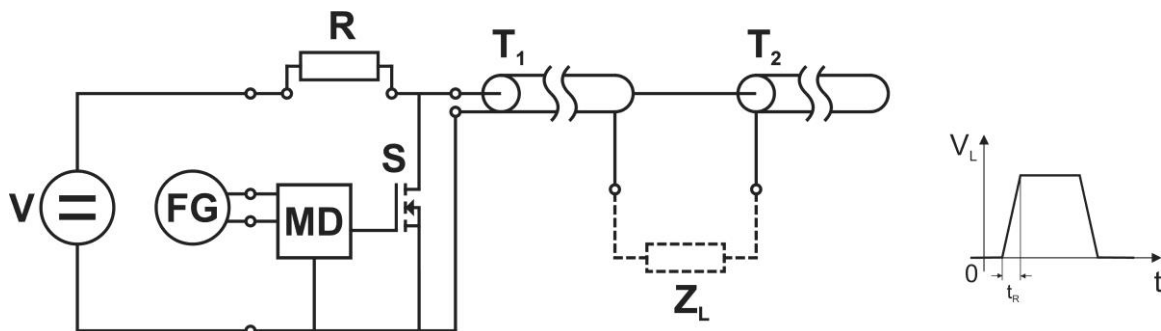


Figure 2. Schematics of the Blumlein generator and its typical output waveform on load (Z_L).

To power the generator, we will use high voltage DC power supply MCP 350-1250 (FUG, Germany). High-voltage and high-impedance resistor will be used to charge the transmission lines. The length of the transmission lines will be calculated (Equation 2) by propagation velocity (v_P) of the signal in transmission line. High-voltage, high-frequency and high-current MOSFET switch (IXYS, USA) will

be used to quickly discharge the transmission lines. We will use 4422 (Microchip, USA) MOSFET driver circuit to drive the MOSFET switch and a function generator (HP, USA) to generate control signal.

$$v_P = \frac{1}{\sqrt{\epsilon \cdot \mu}} \xrightarrow{\mu_r=1} \frac{c}{\sqrt{\epsilon_r}} \xrightarrow{\text{polyethylene}} \frac{3 \cdot 10^8 \frac{m}{s}}{\sqrt{2.25}} = 0.2 \frac{m}{ns}; \quad l = \frac{v_P \cdot t_P}{2} \quad (2)$$

The Blumlein generator will be assembled to generate 1 kV, 20 ns square wave pulses on 100 Ω load.

FURTHER READING:

Reberšek M., Miklavčič D., Bertacchini C., Sack M. Cell membrane electroporation –Part 3: The equipment. *IEEE Electr. Insul. M.* 30:8-18, 2014.

Reberšek M., Miklavčič D. Advantages and disadvantages of different concepts of electroporation pulse generation. *Automatika (Zagreb)*, 52:12-19, 2011.

Reberšek M., Miklavčič D. Concepts of electroporation pulse generation and overview of electric pulse generators for cell and tissue electroporation. In *Advanced Electroporation Techniques in Biology and Medicine*, CRC Press, 17:341-352, 2010.

Kolb J.F. Generation of ultrashort pulse. In *Advanced Electroporation Techniques in Biology and Medicine*, CRC Press, 17:341-352, 2010.

Smith P.W. Transient electronics: pulsed circuit technology. *Wiley*, 2002.

NOTES & RESULTS

NOTES & RESULTS
